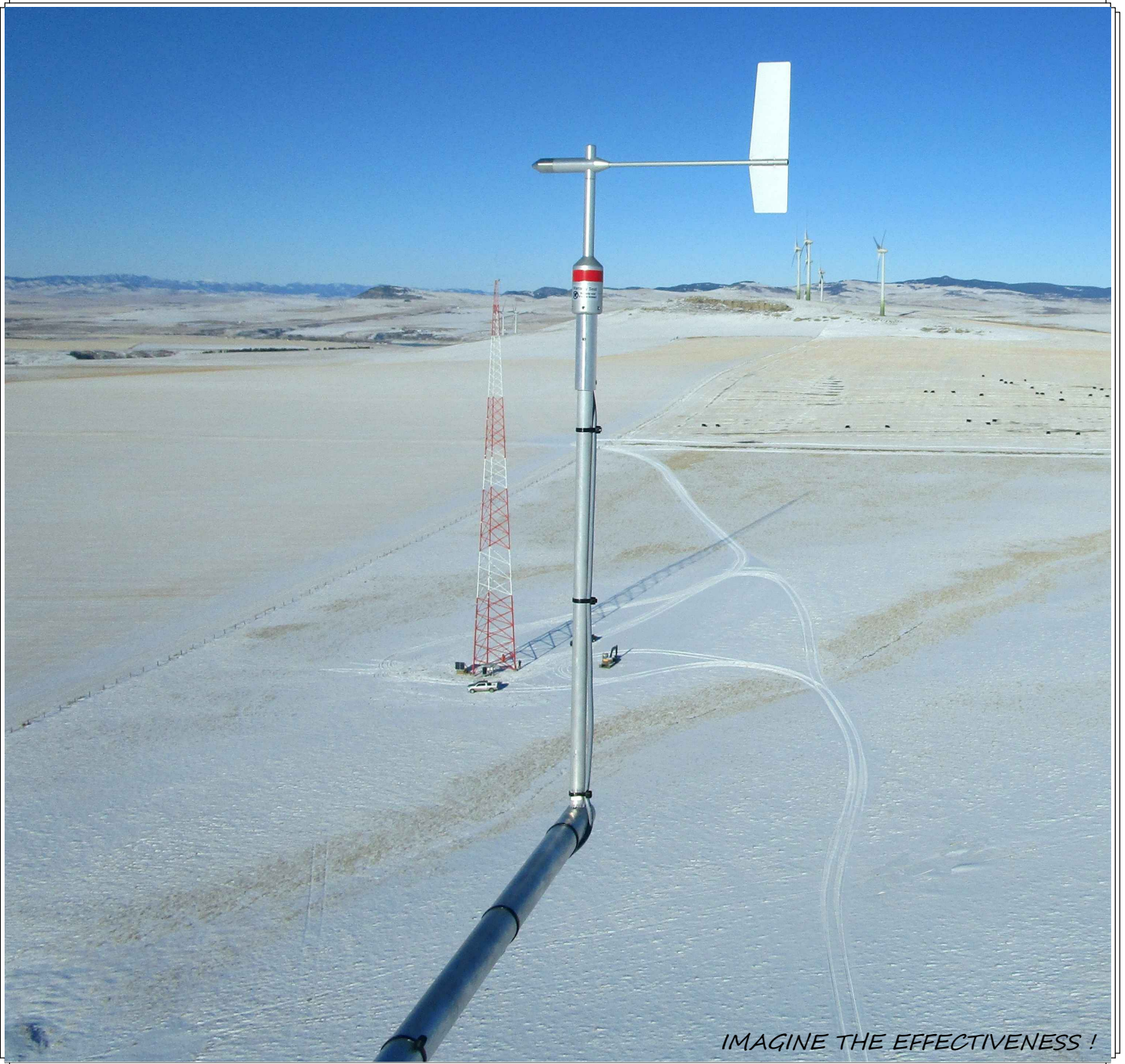


PRODUCT CATALOG 2023



IMAGINE THE EFFECTIVENESS !



TABLE OF CONTENTS

Horizontal Booms

12' and 16' horiz. boom with 10-60 monopole plate adapter5
12' and 16' horiz. boom with clamp set 1-3 tower leg6
12' horiz. boom with clamp set 3-6 tower leg7
Horiz. boom with clamp set 3-6 and single collar guy kit8
20' and 25' horiz. boom with clamp set 3-6 and quad collar guy kit9
12',16', 20' and 25' horiz. boom with tilt clamp and quad collar guy kit10

U-Booms

8' U-boom with center mount for 18"-24"-36" tower12
---	---------

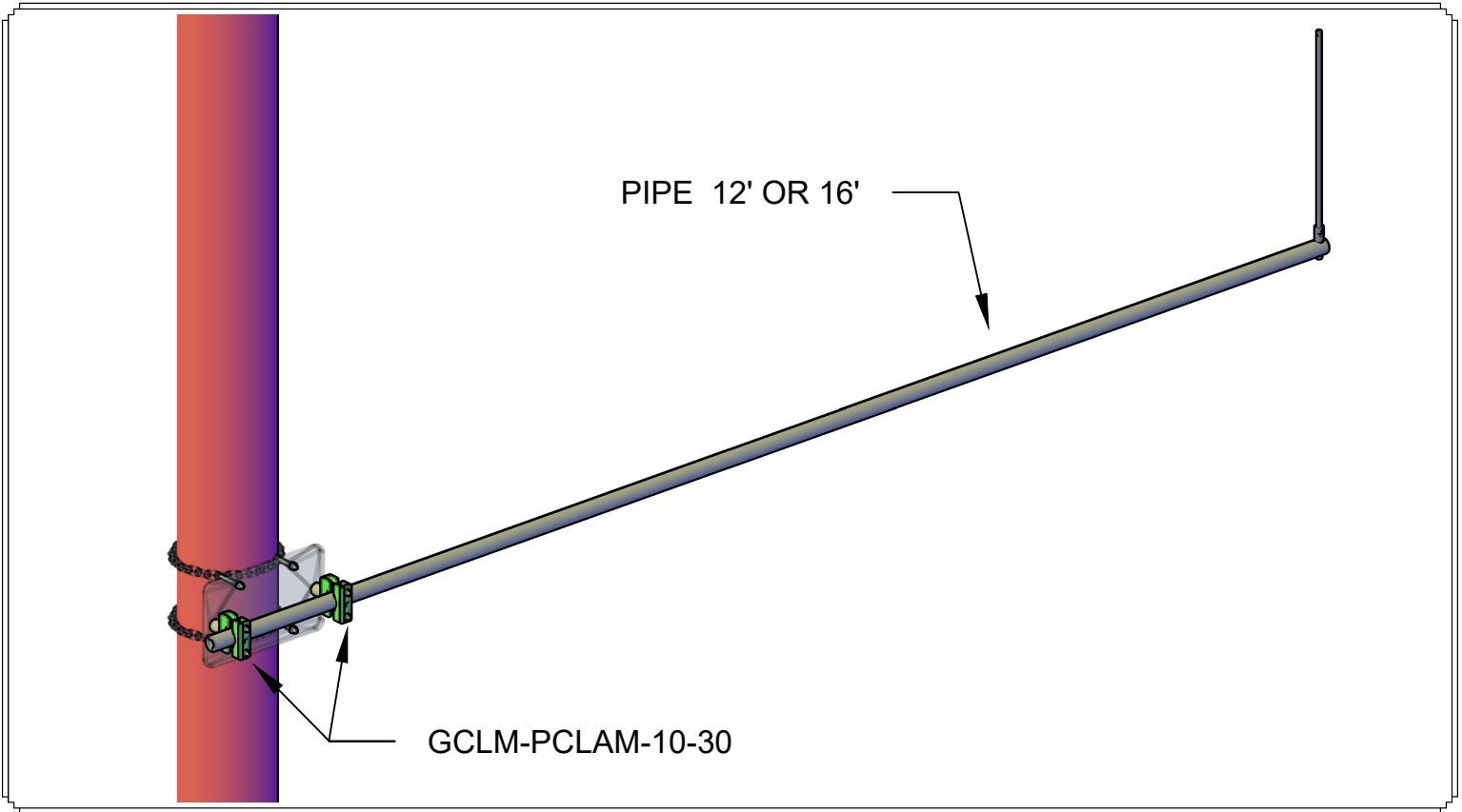
Stub masts

GCLM-SM-Thies FC
 GCLM-SM-27106
 GCLM-SM-4.383X.XXX
 GCLM-SM-2546
 GCLM-SM-200M

Accessories

Collar mount for additional instruments20
Guy kit21
Leg clamp 1-322
Leg clamp 3-623
Tilt leg clamp24
Plate for monopole adapter kit25
Mount plate for 18"-24"-36"26

Horizontal Booms



Product: 12' and 16' horiz. boom with 10-60 monopole adapter plate

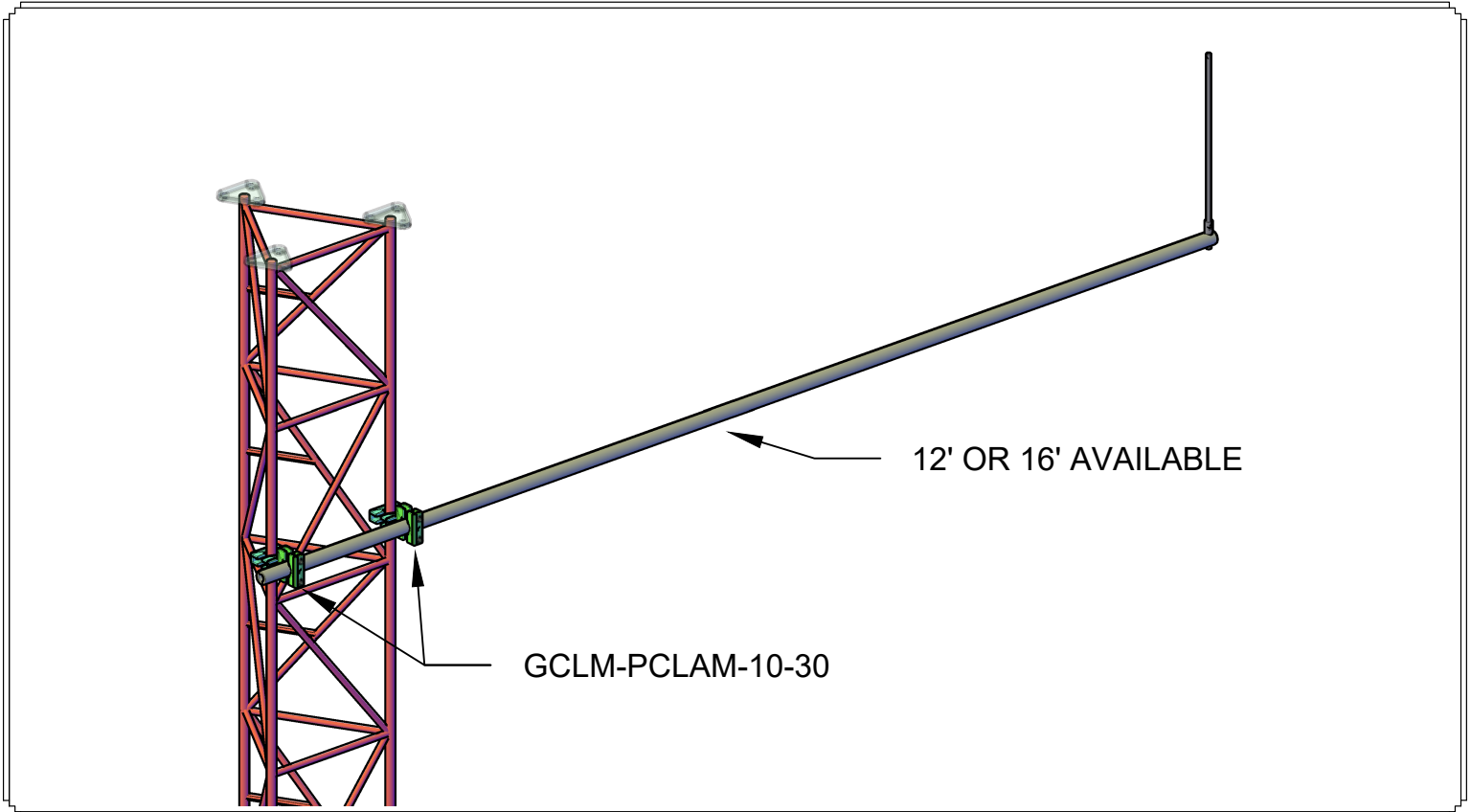
Product ID: GCLM-MONO-MBA-12
GCLM-MONO-MBA-16

Accessory ID : GCLM-PCLAM-10-30

Material Type: Aluminium 6061-T6

Approx. Weight: ± 50 lbs / ± 23 kg

Additional Info:



Product: 12' and 16' horiz. boom with clamp set 10-30

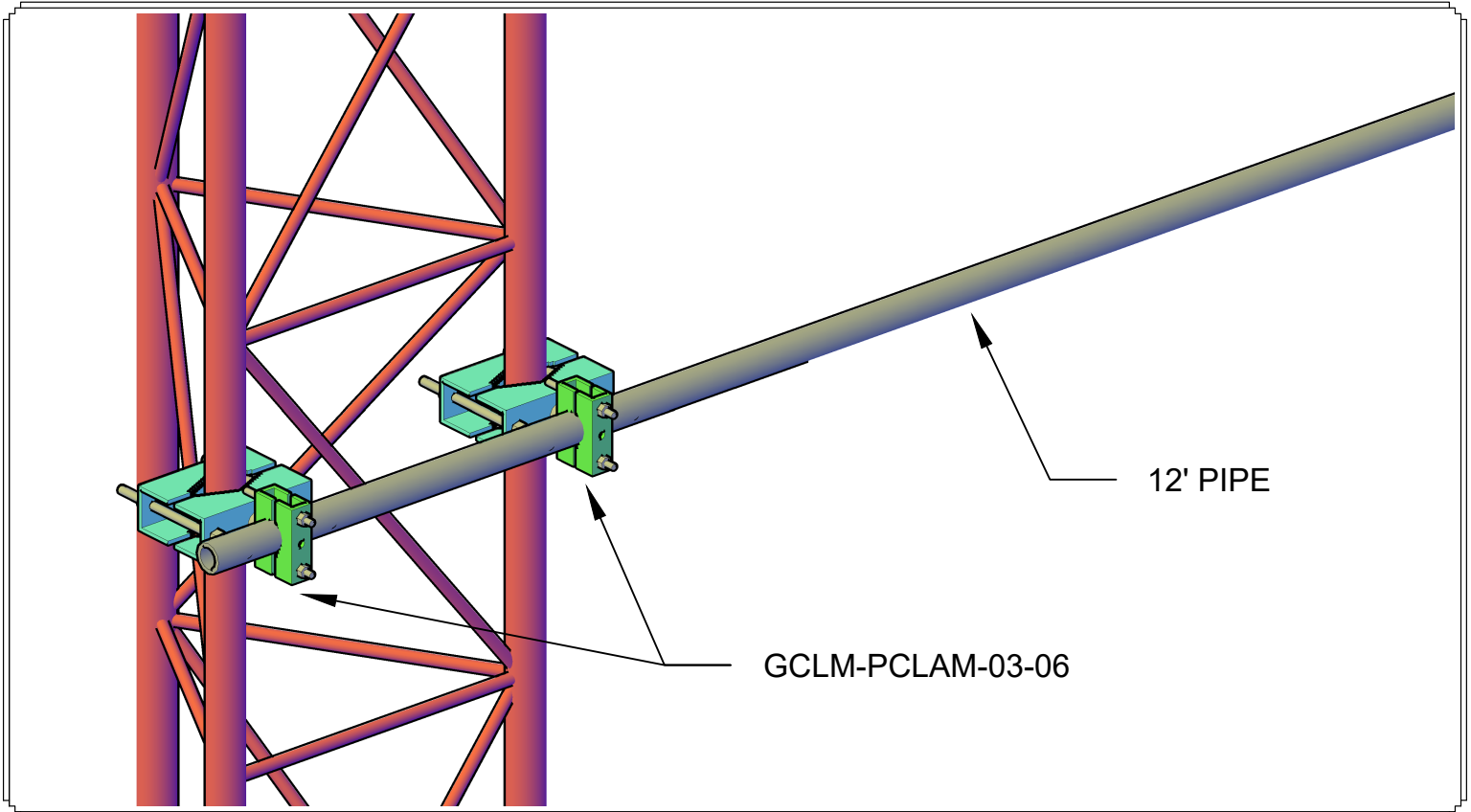
Product ID: GCLM-TWR-MBA-12
GCLM-TWR-MBA-16

Accessory ID : GCLM-PCLAM-10-30

Material Type: Aluminium 6061-T6

Approx. Weight: \pm 40lbs / \pm 18 kg

Additional Info: Available From 12' To 16'



Product: 12' horiz. boom with clamp set 03-06 / 10-30

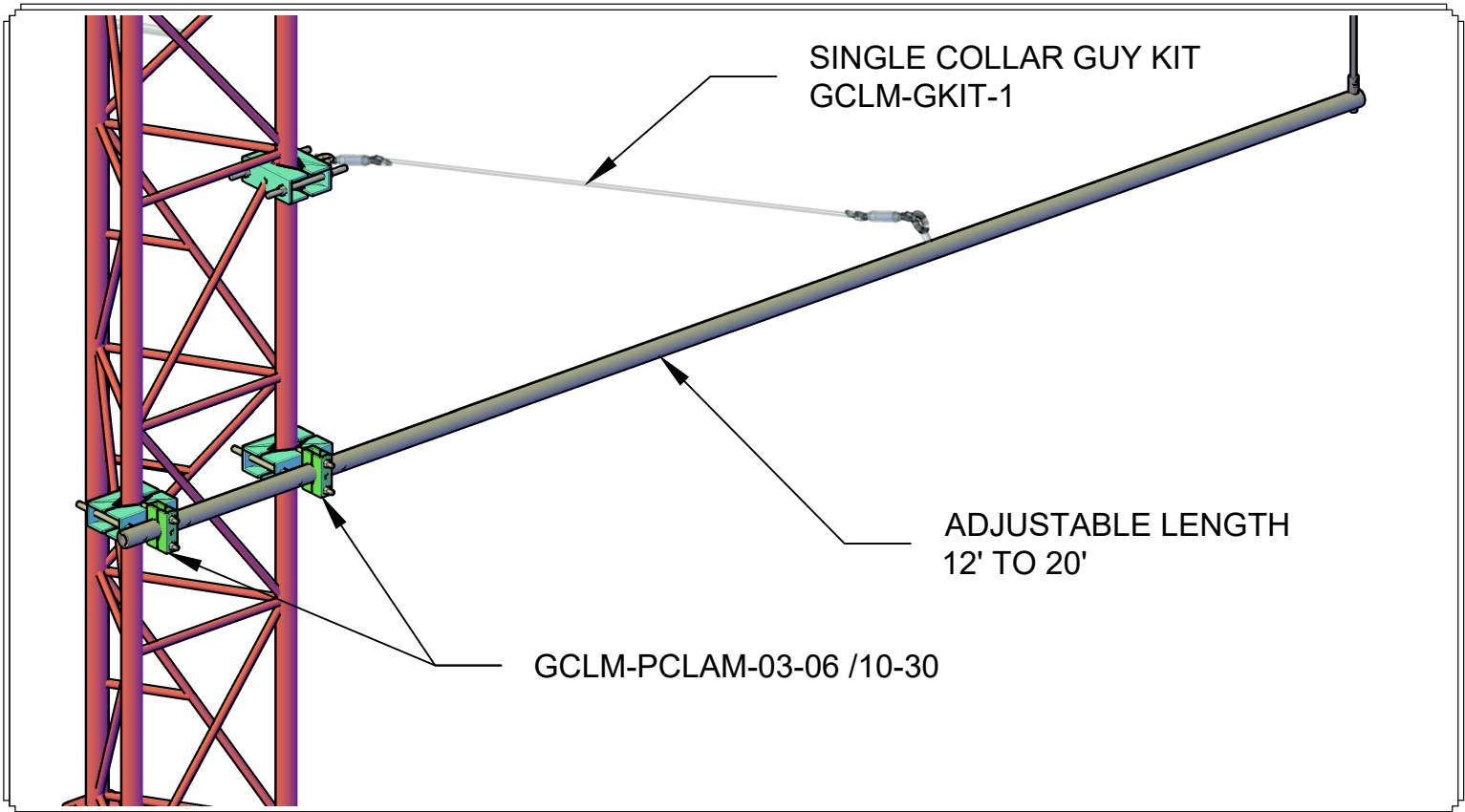
Product ID: GCLM-TWR-MBA-12

Accessory ID : GCLM-PCLAM-03-06

Material Type: Aluminium 6061-T6

Approx. Weight: ± 50 lbs / ± 23 kg

Additional Info:



Product: Horiz. boom with clamp set 3-6 and single collar guy kit

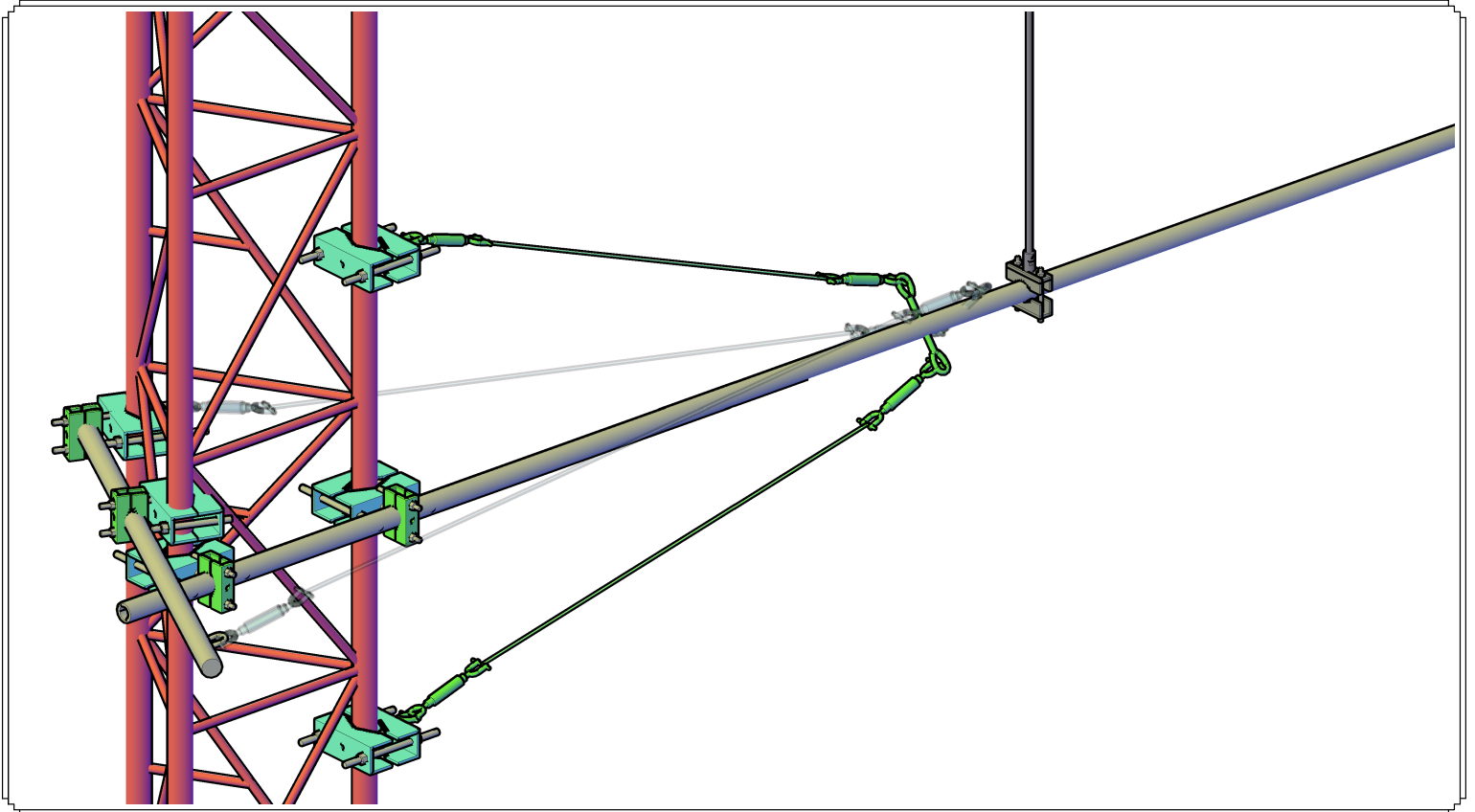
Product ID: GCLM-TWR-MBA-XX

Accessory ID : GCLM-PCLAM-03-06 / 10-30
GCLM-GKIT-1

Material Type: Aluminium 6061-T6

Approx. Weight: ± 55lbs / ± 25 kg

Additional Info: Available From 12' To 20'



Product: 20' AND 25' horiz. boom with clamp set 03-06 and quad collar guy kit

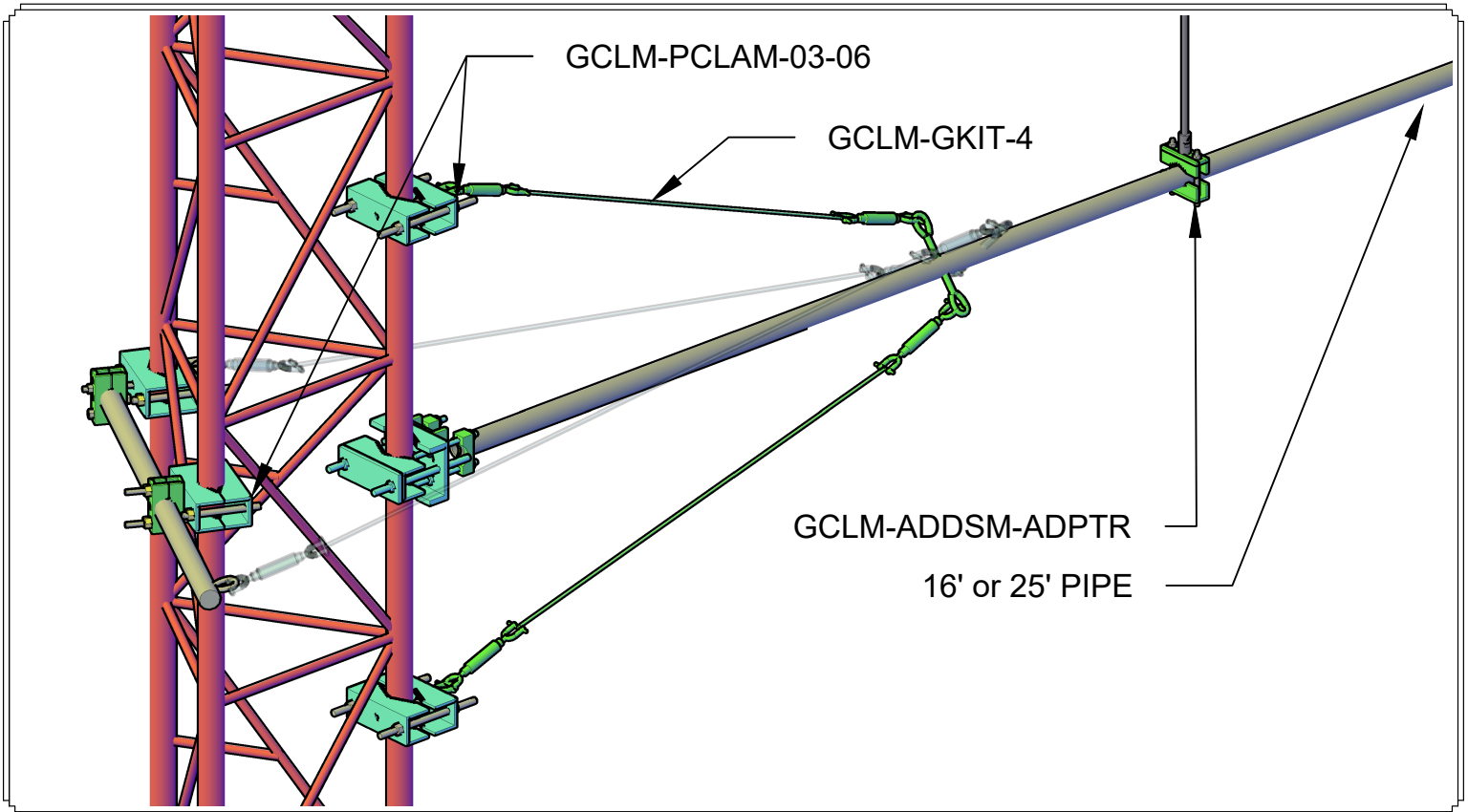
Product ID: GCLM-TWR-MBAH-20
GCLM-TWR-MBAH-25

Accessory ID : GCLM-PCLAM-03-06
GCLM-GKIT-4
GCLM-ADDSM-ADPTR

Material Type: Aluminium 6061-T6

Approx. Weight: \pm 55lbs / \pm 25 kg

Additional Info: Available From 16' To 25'



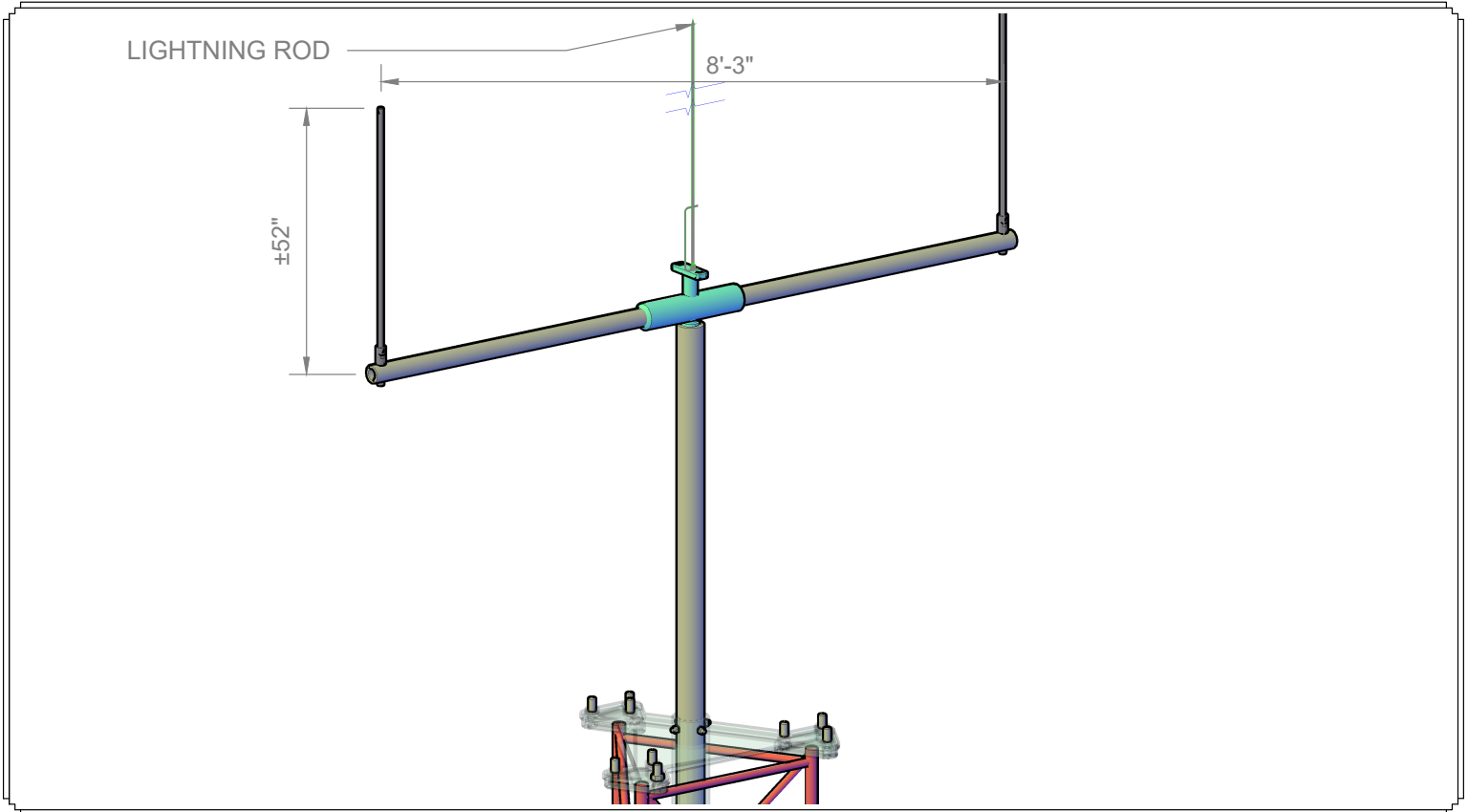
Product: Horiz. Hinge Boom Assembly With Guy Kit Dual Instruments Configuration

Product ID: GCLM-TWR-MBAH-12
GCLM-TWR-MBAH-16
GCLM-TWR-MBAH-20
GCLM-TWR-MBAH-25

Accessory ID : GCLM-PCLAM-10-30
GCLM-PCLAM-03-06
GCLM-GKIT-4
GCLM-ADDSM-ADPTR

Material Type: Aluminium 6061-T6
Approx. Weight: $\pm 55\text{lbs}$ / $\pm 25\text{ kg}$
Additional Info: Available From 16' To 25'

U-Boom {Goalpost}



Product: 8' U-boom with center mount for 18", 24" or 36" tower

Product ID: **GCLM-TWR-UBOOM-8H**

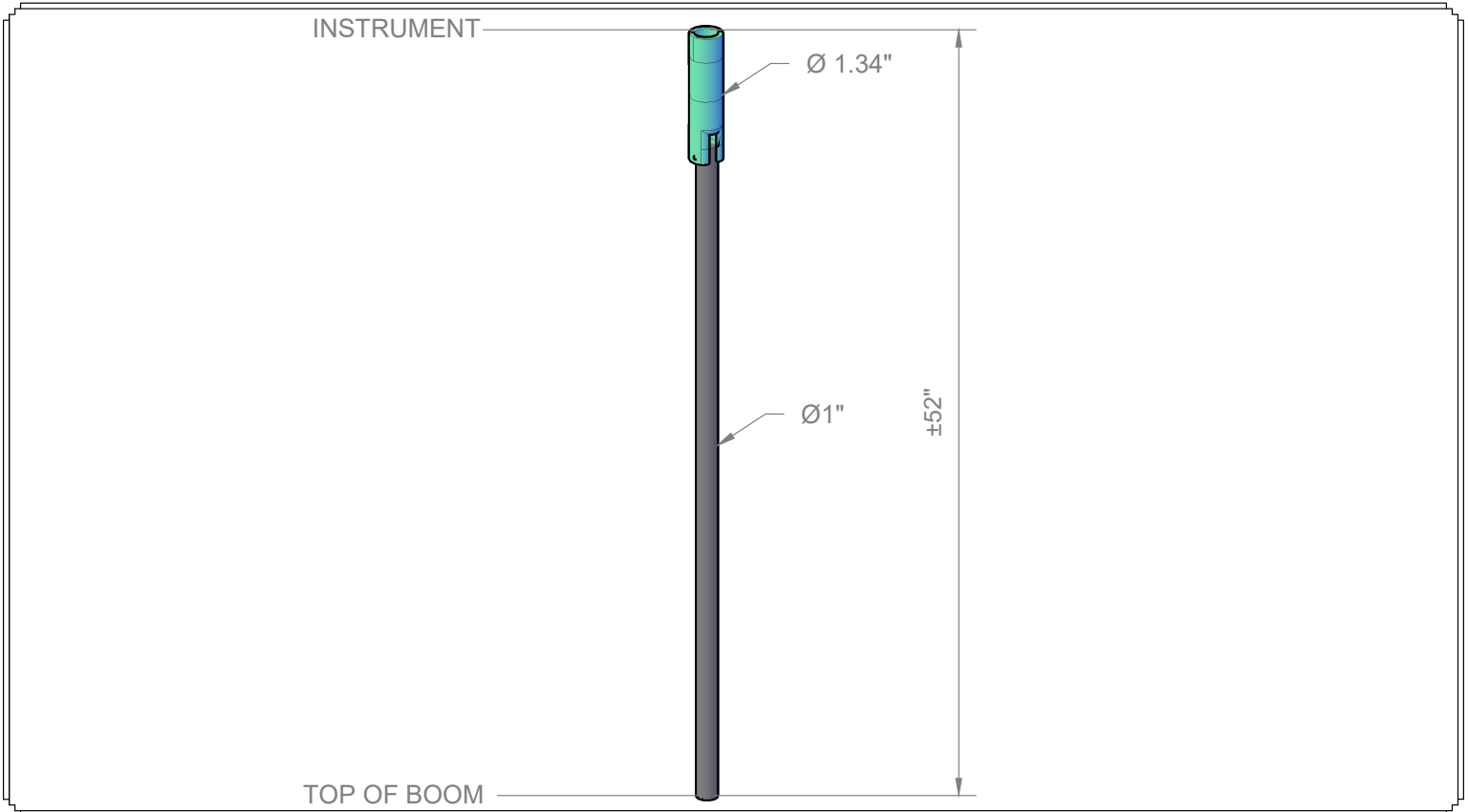
Accessory ID : GCLM-TTADTR-18
GCLM-TTADTR-24
GCLM-TTADTR-36

Material Type: Aluminium 6061-T6

Approx. Weight: ± 110 lbs / ± 49 kg

Additional Info: Side mount installation configuration also available

Stub Masts



Product: Thies Instrument Stub Mast

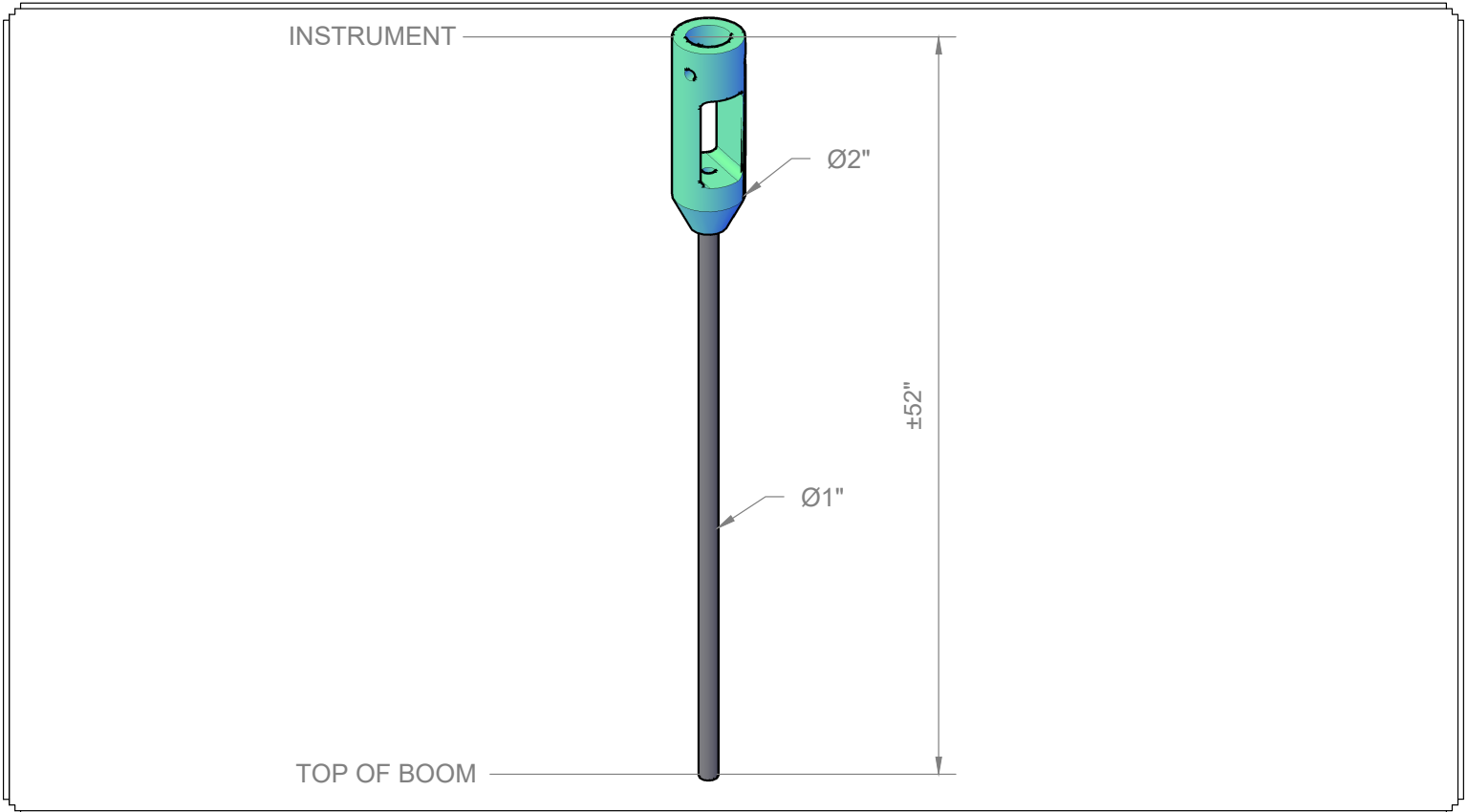
Product ID: GCLM-SM-Thies First Class

Accessory ID :

Material Type: Aluminium 6061-T6

Approx. Weight: ± 4 lbs / ±1.81 kg

Additional Info: Shown for "THIES digital instruments". Other models available



Product: Thies Instrument Stub Mast

Product ID: GCLM-SM-27106

Accessory ID :

Material Type: Aluminium 6061-T6

Approx. Weight: ± 4 lbs / ± 1.81 kg

Additional Info: Shown for "RM Young". Other models available



Product: Thies Instrument Stub Mast

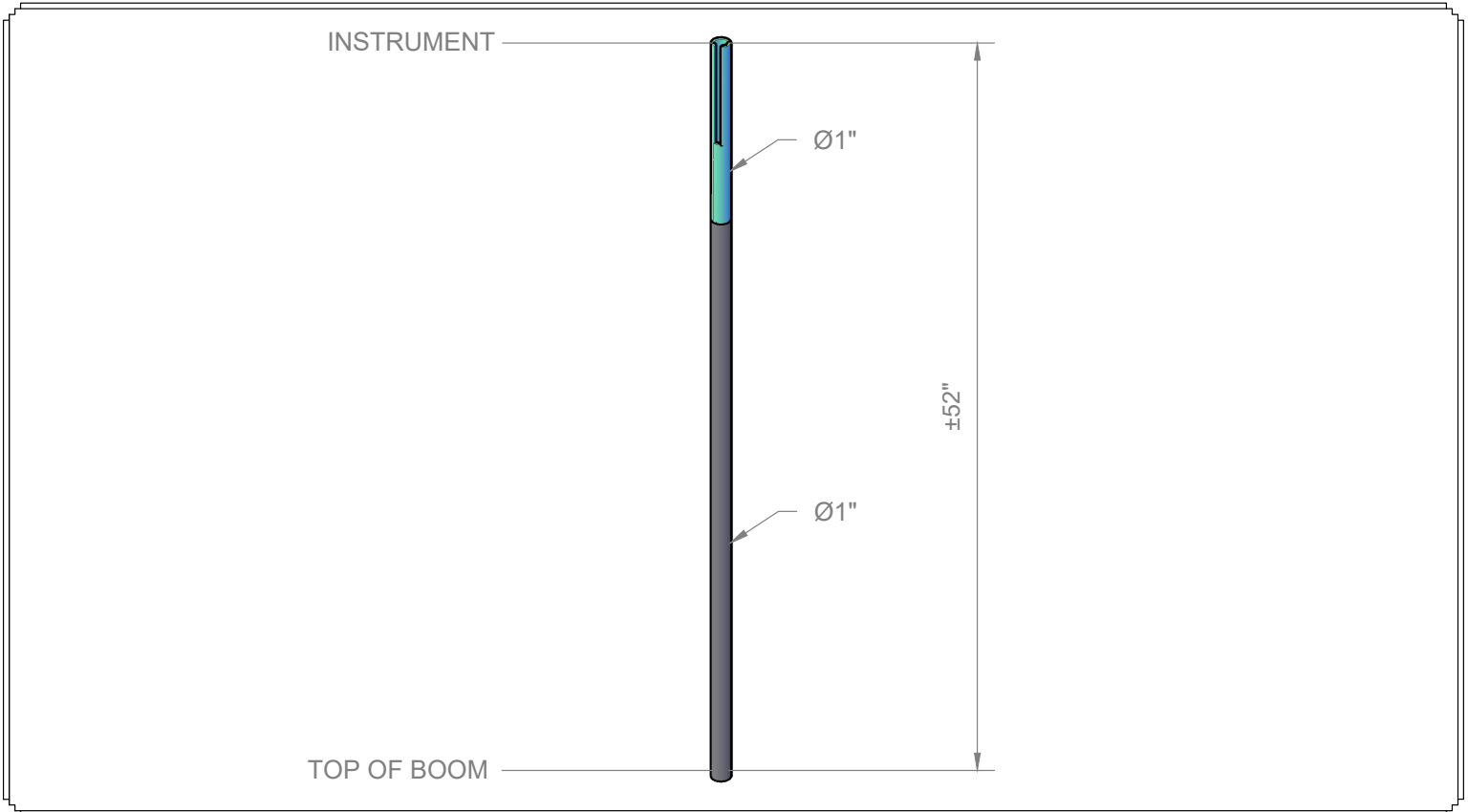
Product ID: GCLM-SM-4.383x.xxx

Accessory ID :

Material Type: Aluminium 6061-T6

Approx. Weight: ± 4 lbs / ± 1.81 kg

Additional Info: Shown for "Ultrasonic 3D". Other models available



Product: Windsensor Instrument Stub Mast

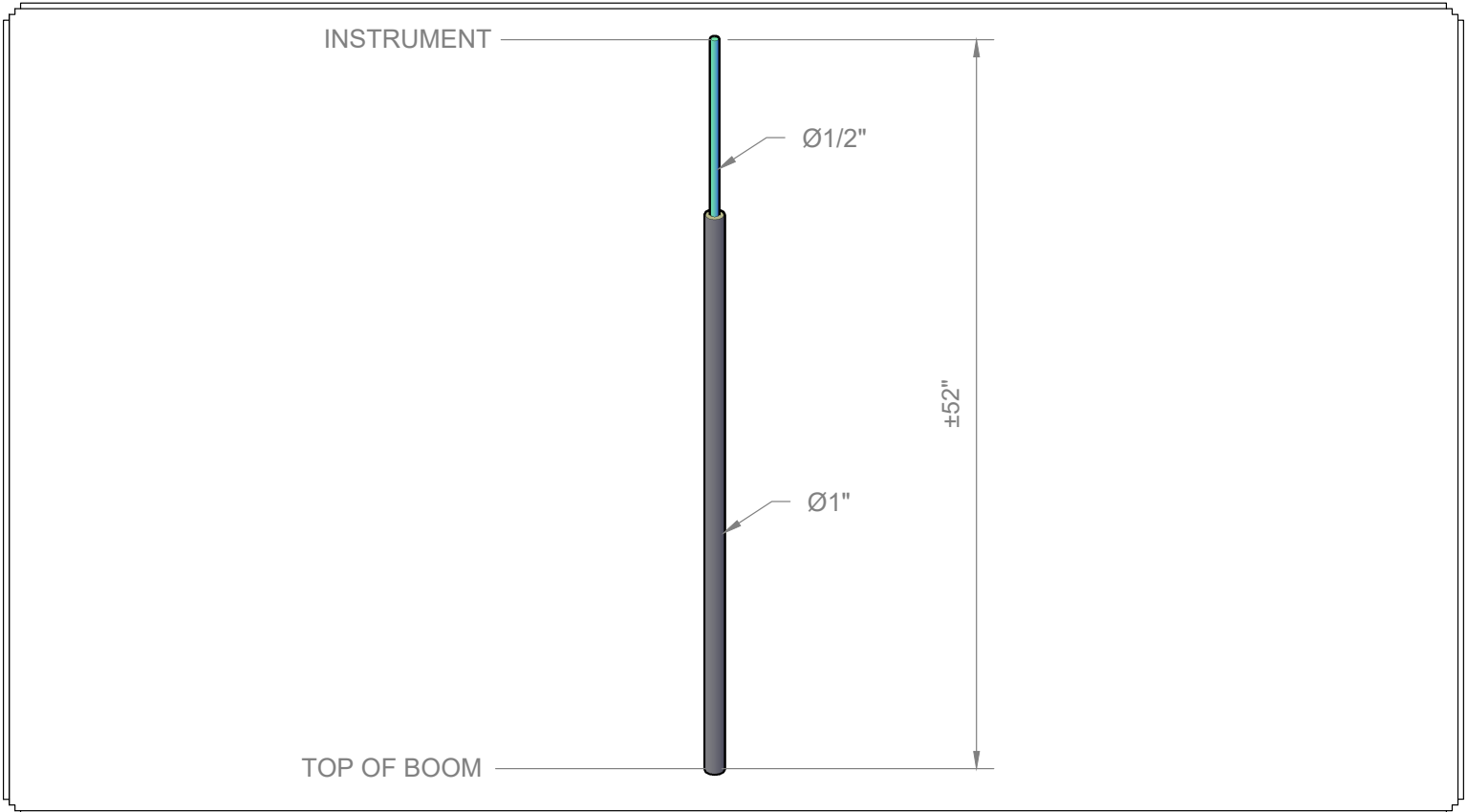
Product ID: GCLM-SM-2546

Accessory ID :

Material Type: Aluminium 6061-T6

Approx. Weight: ± 3 lbs / ± 1.36 kg

Additional Info: Shown for "Wind Sensor". Other models available



Product: NRG Instrument Stub Mast

Product ID: GCLM-SM-200M

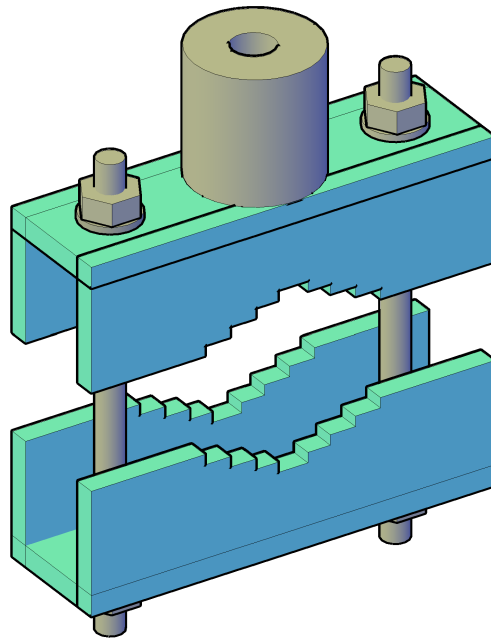
Accessory ID :

Material Type: Aluminium 6061-T6

Approx. Weight: ± 3 lbs / ± 1.36 kg

Additional Info: Shown for "NRG". Other models available

Accessories



Product: Intermediate Stub Mast Adapter

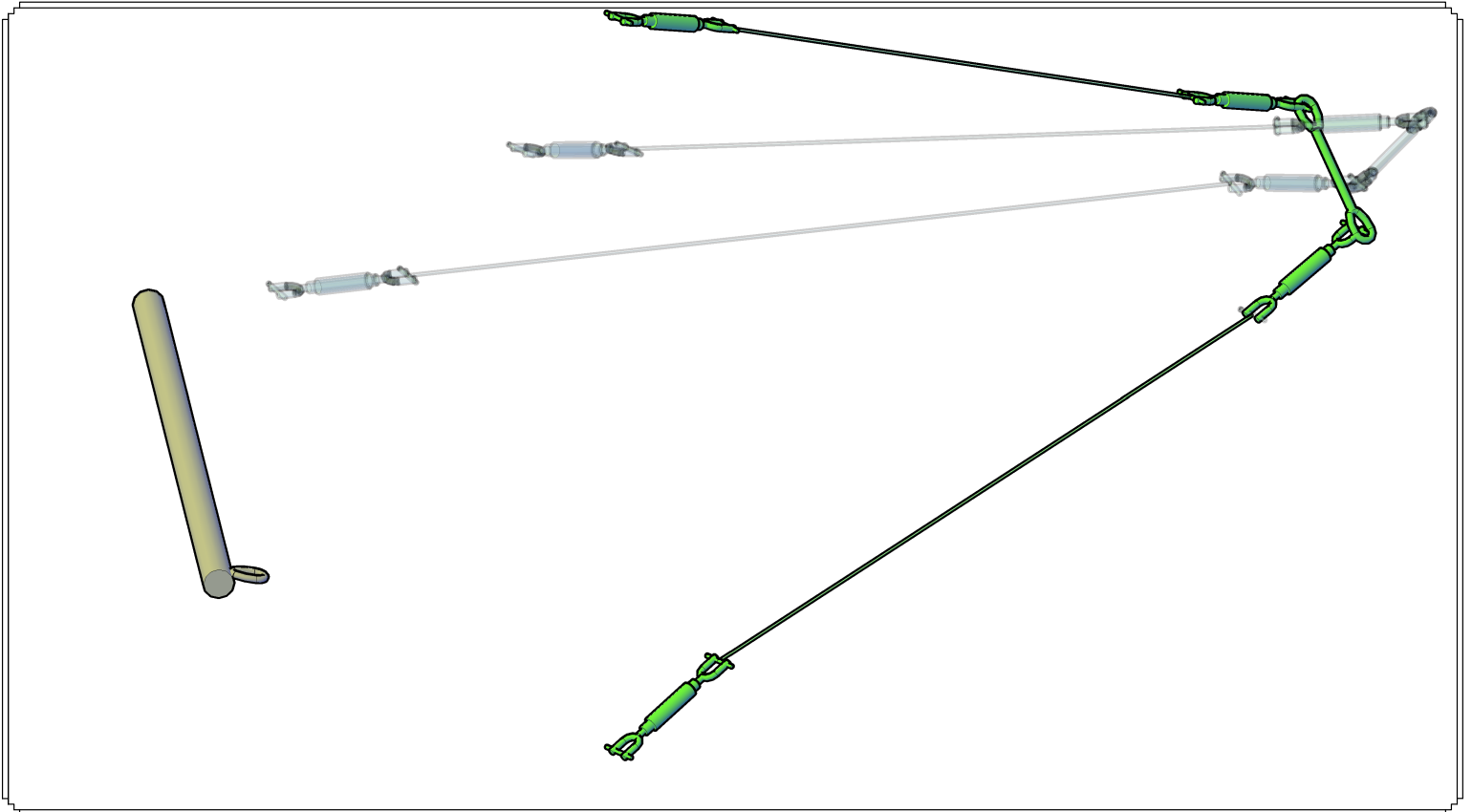
Product ID: GCLM-ADDSM-ADPTR

Accessory ID :

Material Type: Aluminium 6061-T6

Approx. Weight: ± 1 lbs / ± 0.45 kg

Additional Info:



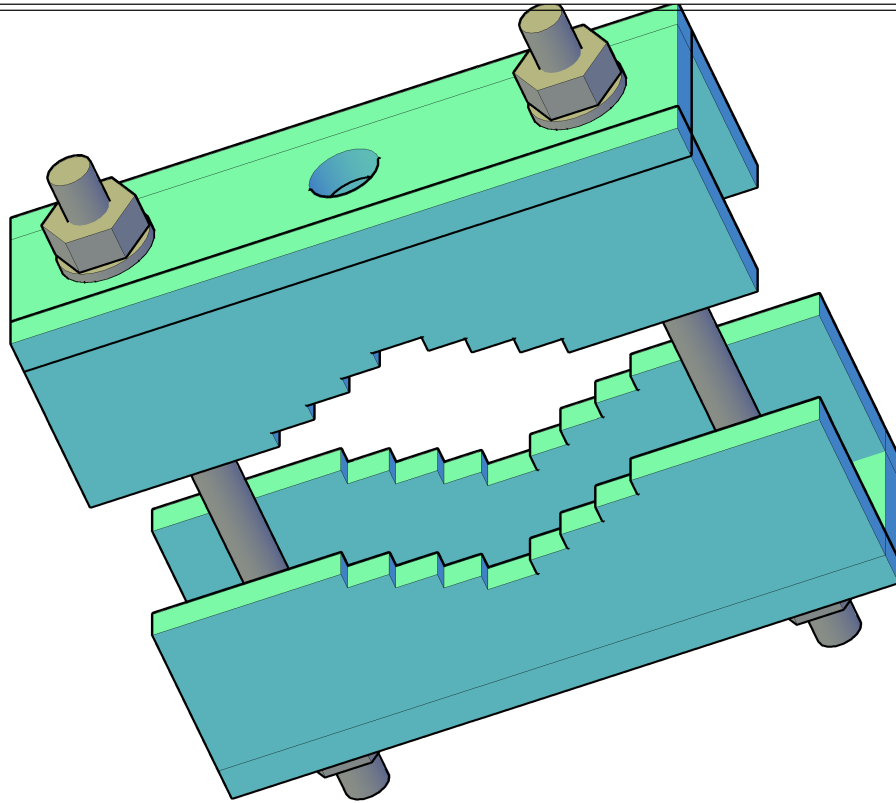
Product: Guy Kit
Product ID: **GCLM-GKIT-CARM-EXT-XX**

Accessory ID :

Material Type: Galvanized Steel

Approx. Weight: ± 45 lbs / ± 20 kg

Additional Info: Also Available For Tower 18", 24" And 36"



Product: Leg Clamp

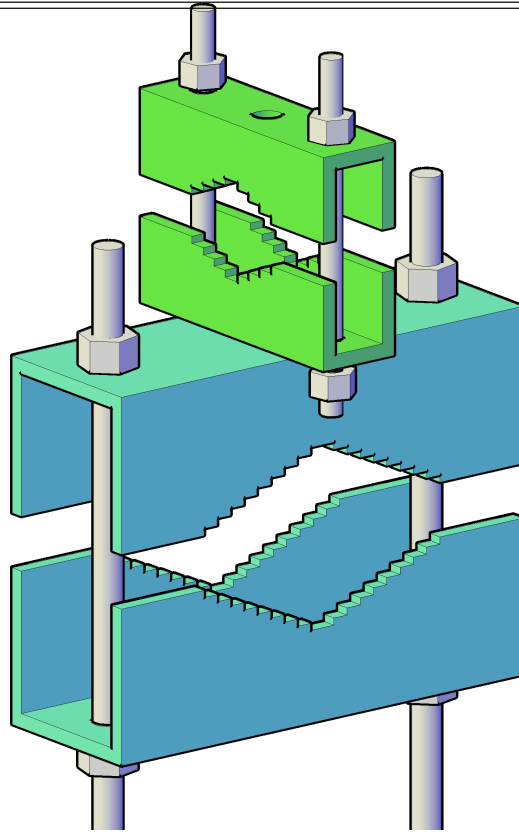
Product ID: **GCLM-PCLAM-10-30**

Accessory ID :

Material Type: Aluminium 6061-T6

Approx. Weight: ± 1 lbs / ± 0.45 kg

Additional Info: Also Available 03-06



Product: Leg Clamp 03-06

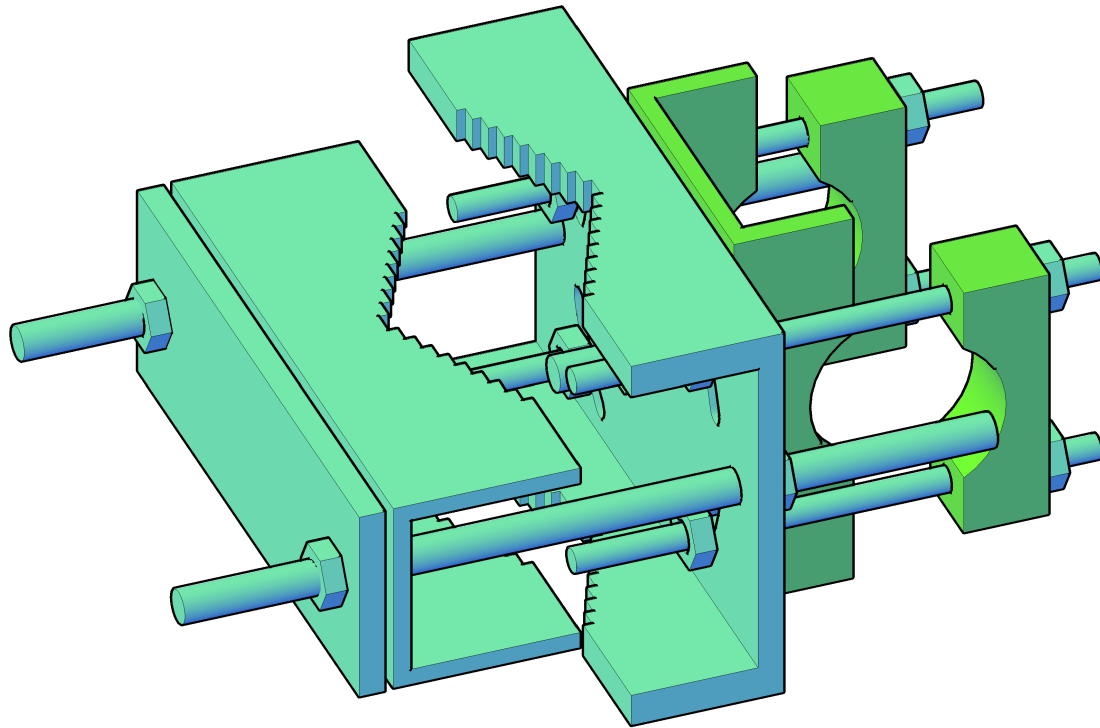
Product ID: GCLM-

Accessory ID :

Material Type: Aluminium 6061-T6

Approx. Weight: ± 3 lbs / ± 1.36 kg

Additional Info:



Product: Tilt Leg Clamp

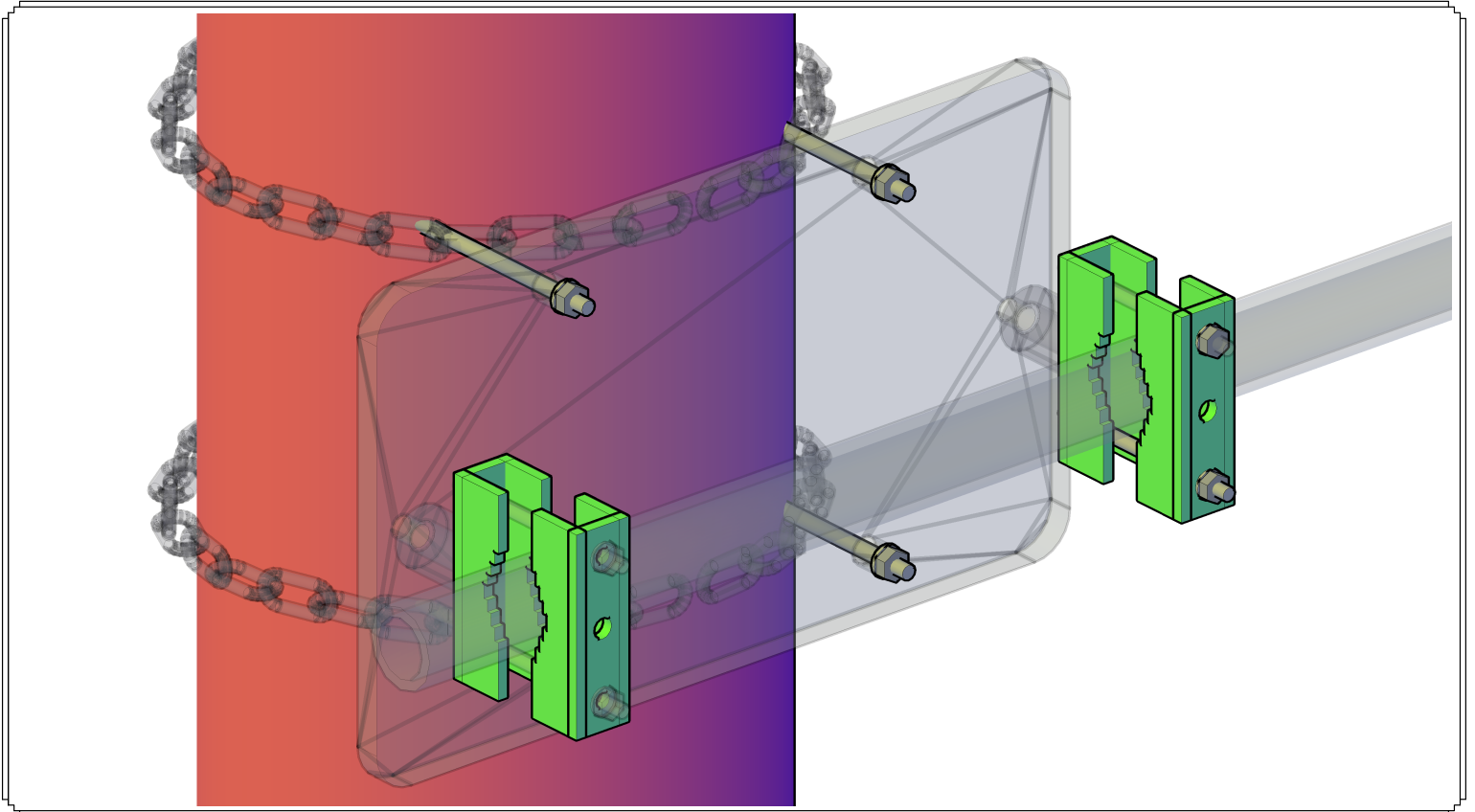
Product ID: **GCLM-MBAH**

Accessory ID :

Material Type: Aluminium 6061-T6

Approx. Weight: ± 4 lbs / ± 1.81 kg

Additional Info:



Product: Monopole Adapter Plate

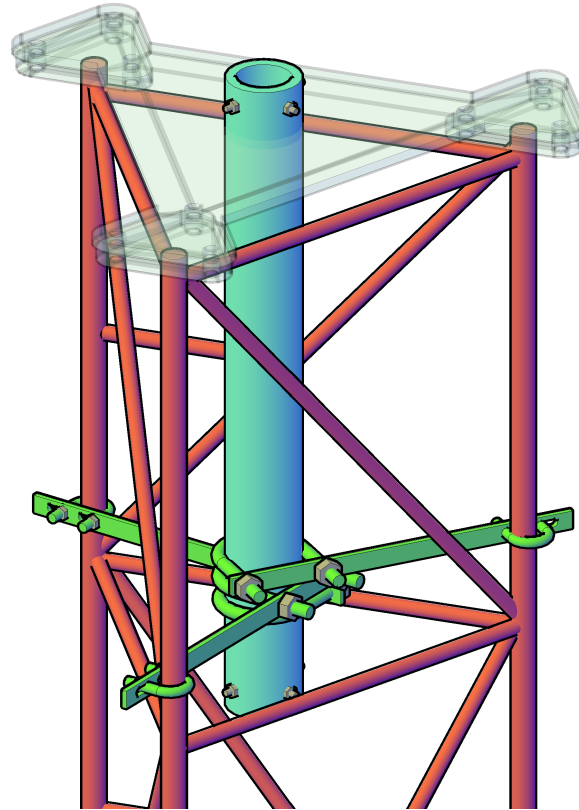
Product ID: GCLM-MONO-MBA-XX

Accessory ID : GCLM-PCLAM-10-30

Material Type: Aluminium 6061-T6

Approx. Weight: ± 50 lbs / ± 23 kg

Additional Info:



Product: Top Tower Adapter

Product ID: **GCLM-TTADTR-18**

Accessory ID :

Material Type: Galvanized Steel

Approx. Weight: ± 45 lbs / ± 20 kg

Additional Info: Also Available For Tower 24" And 36"



Imagine the Effectiveness!

Visit us @ www.consertek.ca



Follow us on :



For more information, contact us @ info@consertek.ca



PROUD MEMBER

Canadian Renewable
Energy Association
WIND. SOLAR. STORAGE.

Association canadienne
de l'énergie renouvelable
ÉOLIEN. SOLAIRE. STOCKAGE.



3140 Jacob Jordan, Terrebonne, Quebec Canada J6X4J6 - 450.918.7456

186 US Oval, Plattsburgh, NY USA 12903 - 518.314.7676